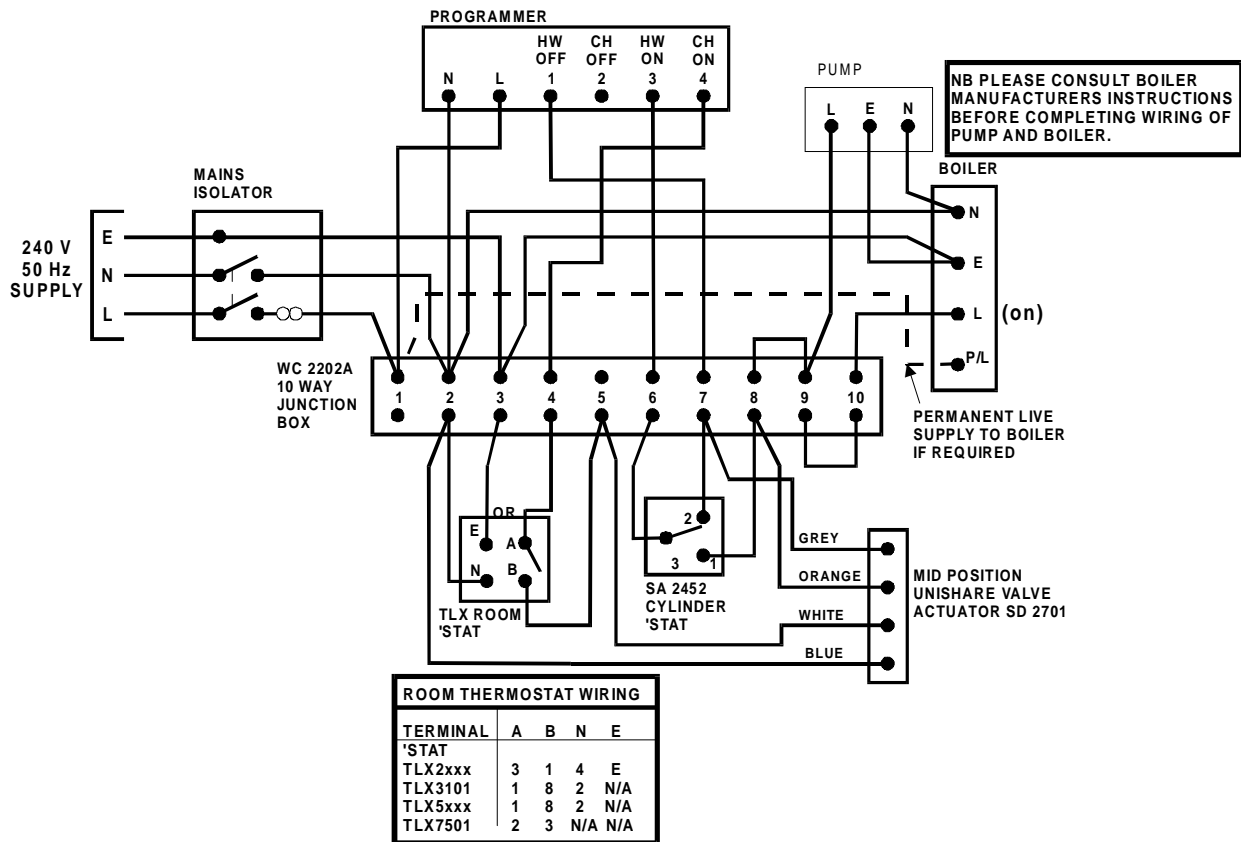


UNISHARE SYSTEM WITH SELECT PROGRAMMER



NB. All installations and maintenance must be carried out by a competent person and in accordance with current building and wiring regulations.

Please consult user and installation instructions for all products used.

TECHNICAL HELPLINE 01698 810945

Monday to Thursday 09:00 - 12:00
13:00 - 16:00
Friday 09:00 - 12:00

SUNVIC CONTROLS LIMITED

Bellshill Road, Uddingston, Glasgow G71 6NP, Scotland, UK
Telephone: +44 (0)1698 812944 Fax: +44 (0)1698 813637

